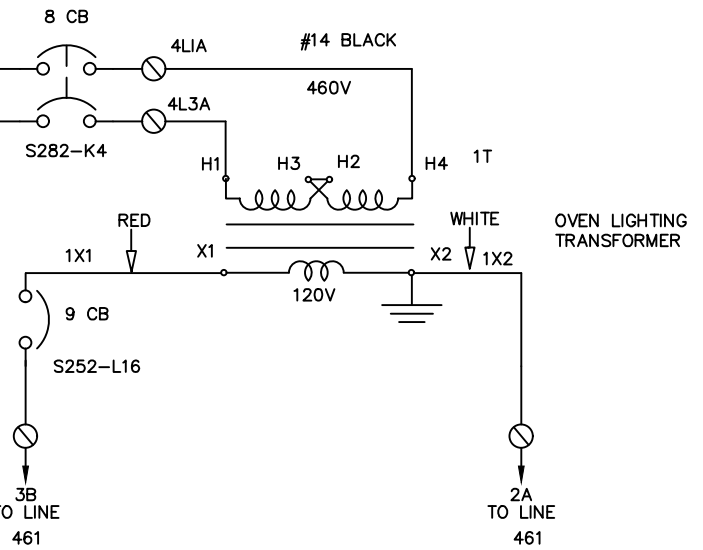
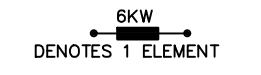
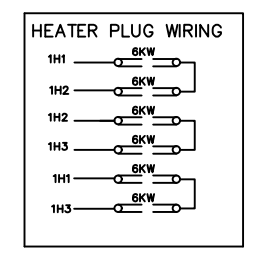
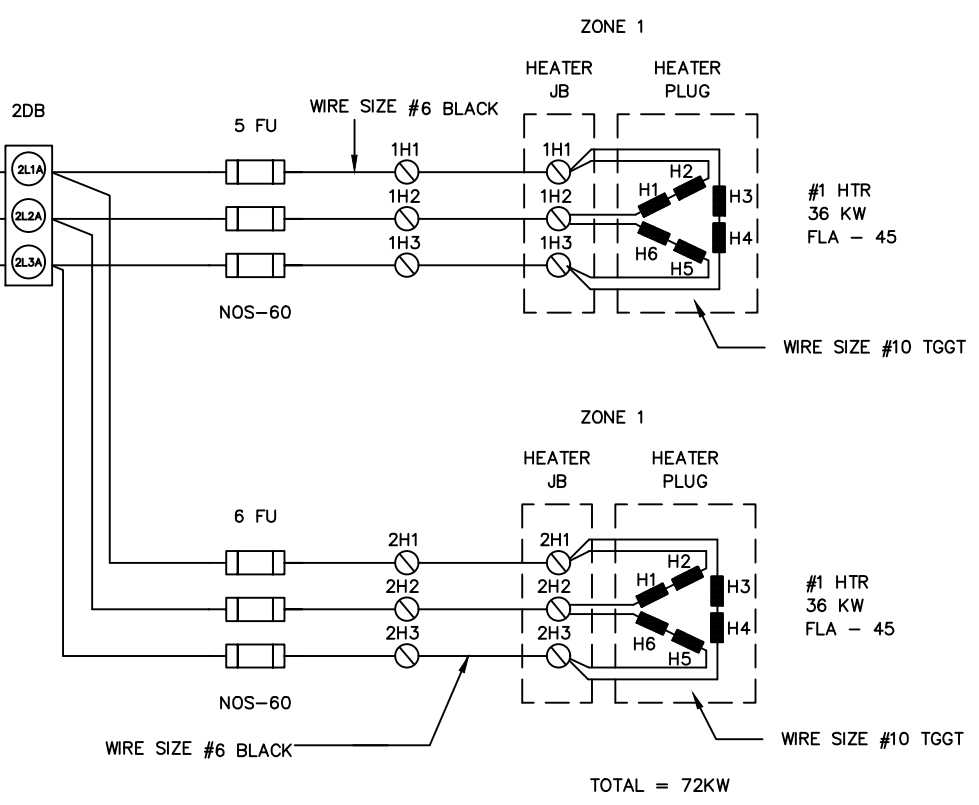
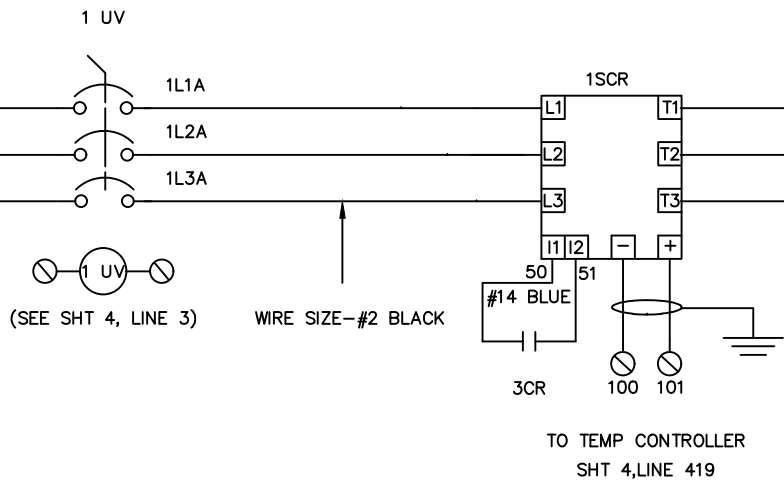


201
202
203
204
205
206
207
208
209
210
211
212
213
214
215
216
217
218
219
220
221
222
223
224
225
226
227
228
229
230
231
232
233
234
235
236
237
238
239
240

CONTINUED FROM PAGE 1

LIA L2A L3A



CONTINUED ON PAGE 3

REVISION		MT 1-20-93
CL	LOC NO	CHANGES
BY/DATE		C.N.
DIVISION of GENERAL MOTORS CORPORATION 2401 COLUMBUS AVENUE ANDERSON, INDIANA 46016		
S.B.U.		
PLANT		
DISTRIBUTION		
MODEL NAME	MODEL NO.	
PART NAME	PART NO. 5316	
ALSO USED FOR		
DESCRIPTION INK CURE OVEN		
REFERENCE NO.		
DRAWN BY BUD	DATE 10-5-92	
CHECKED BY	DATE	
ENGINEER BUD	APPROVED	
GRAPHICS FILE		
SHEET NO. 2	OF 13	SCALE

DWG. NO. 20-5446-4
OSI

DWG. NO. 10475190B